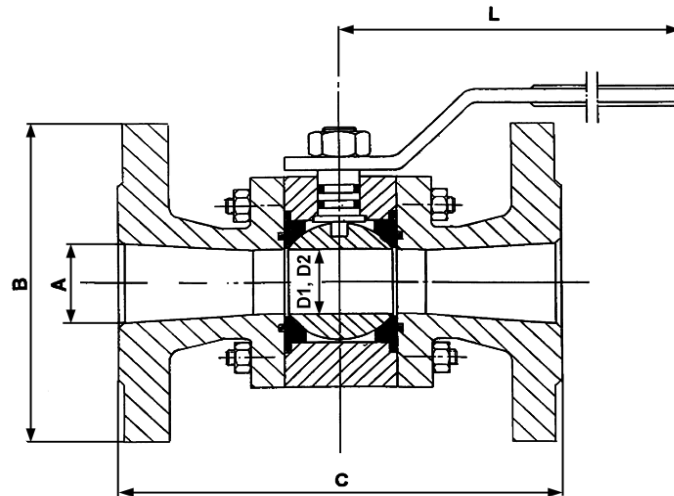


**Ball valve / Kulventil
in titanium / av titan
Class 150**

KUL 4401A EB 101360, KUL 4501A EB 101361



| Description | Beskrivning |
|---|--|
| <ul style="list-style-type: none"> - Service: open/shut - Lever operated - Flanged acc. to ANSI Class 150 - Face to face acc. to ANSI B16.10 Class 300, except DN 80 (SSG 1041/1042) - Three-piece, bolted - Reduced alt. full bore | <ul style="list-style-type: none"> - Funktion: öppen/stängd - Spakmanövrerad - Flänsad enl. ANSI Class 150 - Bygglängd enl. ANSI B16.10 Class 300, utom DN 80 (SSG 1041/1042) - 3-delad, bultad - Reducerad alt. fullopp |

| Part and Material specification | | | Detalj- och Materialspecifikation | | |
|---------------------------------|------------------|------------------------|-----------------------------------|------------------------------|---------------------|
| No. | Part | Material | Nr | Detalj | Material |
| | Body | titanium ASTM B348 GR2 | | Hus | titan ASTM B348 GR2 |
| | Ends | titanium ASTM B348 GR2 | | Ändar | titan ASTM B348 GR2 |
| | Ball | titanium ASTM B348 GR2 | | Kula | titan ASTM B348 GR2 |
| | Stem | titanium ASTM B348 GR2 | | Spindel | titan ASTM B348 GR2 |
| | Seats | carbon filled PTFE | | Säten | kolfylld PTFE |
| | Body seal | FPM Viton | | Hustätn. | Viton |
| | Stem seal | FPM Viton | | Spindel- packning | Viton |

Other parts on request.

Övriga detaljer på begäran.

| Dimensions and weight / Mått och vikt | | | | | | | | | | | | | | | | |
|---------------------------------------|-------|-----|-----|----|-----|-----|-----|--|--|--|--|--|--|--|--|------|
| DN | Class | A | B | D1 | D2 | C | L | | | | | | | | | ~ kg |
| 1/2" | 150 | 15 | 89 | - | 15 | 140 | 170 | | | | | | | | | |
| 3/4" | 150 | 20 | 98 | 15 | 20 | 152 | 170 | | | | | | | | | |
| 1" | 150 | 25 | 108 | 20 | 25 | 165 | 200 | | | | | | | | | |
| 1 1/4" | 150 | 32 | 118 | 25 | 32 | 178 | 200 | | | | | | | | | |
| 1 1/2" | 150 | 40 | 127 | 32 | 38 | 190 | 230 | | | | | | | | | |
| 2" | 150 | 50 | 152 | 38 | 48 | 216 | 230 | | | | | | | | | |
| 2 1/2" | 150 | 65 | 178 | 48 | 65 | 241 | 230 | | | | | | | | | |
| 3" | 150 | 80 | 191 | 65 | 80 | 241 | 250 | | | | | | | | | |
| 4" | 150 | 100 | 229 | 80 | 100 | 305 | 360 | | | | | | | | | |
| | | | | | | | | | | | | | | | | |
| | | | | | | | | | | | | | | | | |
| | | | | | | | | | | | | | | | | |
| | | | | | | | | | | | | | | | | |

Dimensions in mm / Mått i mm

D1 = reduced bore / reducerad, D2 = full bore / fullopp

| | |
|--------------------------------------|---|
| Working pressure | Arbetsstryck |
| From -50°C up to 40°C Max. 20 bar | Från -50°C upp till 40°C Max. 20 bar |

| | |
|--------------------------|--------------------------|
| Temperature range | Temperaturområde |
| Min. -50°C Max. 200°C | Min. -50°C Max. 200°C |

| | |
|------------------|---------------------|
| Approvals | Godkännanden |
| On request | På begäran |

| | |
|--------------------|--------------|
| Certificate | Intyg |
| On request | På begäran |

| Article No. guide | | Produktnr. guide | |
|---------------------------|-----------------|-------------------------|-------------------|
| Design | Art. No. | Utförande | Produktnr. |
| Reduced bore (DN 3/4"-4") | EB 101360 | Reducerad (DN 3/4"-4") | EB 101360 |
| Full bore (DN 1/2"-4") | EB 101361 | Fullopp (DN 1/2"-4") | EB 101361 |

| | |
|---|--|
| Variants | Varianter |
| - In other high alloy materials Other variants on request. | - Av andra höglegerade material Andra varianter på begäran. |

| | |
|--|--|
| Installation, Operating and Maintenance | Installation, Drift och Underhåll |
| See our installation, operating and maintenance instructions under section 20. | Se våra installations-, drifts- och underhållsinstruktioner under flik 20. |

We reserve the right to make construction changes. / Reservation för konstruktionsändringar.

For further information - please contact us. / För ytterligare information - kontakta oss.

Utg. 1/ 9910